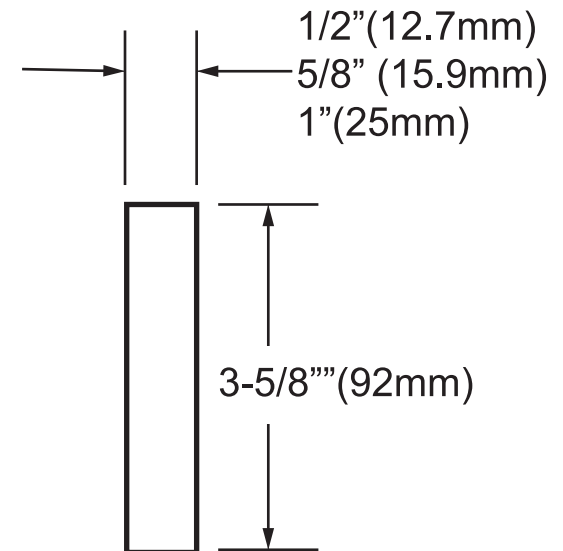


11-5/8"
(295mm)



1/2" (12.7mm)
5/8" (15.9mm)
1" (25mm)

3-5/8" (92mm)

NOTES:

NOT ALL PRODUCTS ARE AVAILABLE IN ALL COLORS AND/OR SIZES. PLEASE CONTACT ENDICOTT FOR AVAILABILITY. ENDICOTT UTILITY THIN BRICKS CONFORM TO ASTM C1088 SPECIFICATIONS. ASTM TYPE AND GRADE ARE DEPENDENT ON TEXTURE AND OTHER FACTORS.

UTILITY THIN BRICK

