

# Price list 2014



 **MONTIGO**<sup>®</sup>  
the art of fireplaces

# Table of Contents

This document is for pricing and ordering purposes only. For installation or technical information, refer to the appropriate installation instructions and your local building codes.

|   |                |
|---|----------------|
| <b>B-Series Fireplaces .....</b>                      | <b>3 - 4</b>   |
| <b>H-Series .....</b>                                 | <b>5 - 30</b>  |
| H-Series Louvered Fireplaces .....                    | 5 - 6          |
| H*34 Single Side .....                                | 7 - 8          |
| H*38 Single Side.....                                 | 9 - 10         |
| H*38 See Through .....                                | 11 - 12        |
| H*42 Single Side .....                                | 13 - 14        |
| H*42 See Through .....                                | 15 - 16        |
| Peninsula .....                                       | 17 - 18        |
| Panorama.....   | 19 - 20        |
| Corner Left .....                                     | 21 - 22        |
| Corner Right .....                                    | 23 - 24        |
| Ventless Outdoor .....                                | 25 - 26        |
| See Through Ventless Outdoor .....                    | 27 - 28        |
| H36 Power Vent Single Side .....                      | 29 - 30        |
| <b>L-Series .....</b>                                 | <b>31 - 42</b> |
| L38 Single Side.....                                  | 31 - 32        |
| L38 See Through .....                                 | 33 - 34        |
| L42 Single Side.....                                  | 35 - 36        |
| L42 See Through .....                                 | 37 - 38        |
| L52 Single Side .....                                 | 39 - 40        |
| L52 See Through.....                                  | 41 - 42        |
| <b>P-Series .....</b>                                 | <b>43 - 48</b> |
| P38 Single Side.....                                  | 43 - 44        |
| P42 Single Side.....                                  | 45 - 46        |
| P52 Single Side.....                                  | 47 - 48        |
| <b>R-Series .....</b>                                 | <b>49 - 54</b> |
| Single Side .....                                     | 49 - 50        |
| See Through .....                                     | 51 - 52        |
| R324 See Through Indoor Outdoor .....                 | 53 - 54        |
| <b>RP-Series .....</b>                                | <b>55 - 56</b> |
| RP620 .....   | 55 - 56        |
| <b>Inserts .....</b>                                  | <b>57 - 60</b> |
| Hotshot.....  | 57 - 58        |
| Tuscany .....   | 59 - 60        |
| <b>Stoves .....</b>                                   | <b>61 - 62</b> |
| Rio DX Cast Stove.....                                | 61 - 62        |
| <b>Miscellaneous Components .....</b>                 | <b>63</b>      |
| <b>Designer Burner Accessories .....</b>              | <b>64</b>      |
| <b>Vent Components .....</b>                          | <b>65 - 70</b> |
| 4"/7" Direct Vent .....                               | 65 - 66        |
| 5"/8" Direct Vent.....                                | 67 - 68        |
| 5"/10" Direct Vent.....                               | 69             |
| 2-Ply Flexible Chimney Liner .....                    | 70             |
| <b>Power Vent Components .....</b>                    | <b>71 - 74</b> |
| External Wall Mount System.....                       | 71             |
| External Roof Mount System .....                      | 72             |
| In-Line System.....                                   | 73 - 74        |
| <b>R-Series/RP-Series Power Vent Components .....</b> | <b>75 - 77</b> |
| External Wall Mount System.....                       | 75             |
| External Roof Mount System .....                      | 76             |
| Flush Louvered System.....                            | 77             |
| <b>Bulk Fan Components .....</b>                      | <b>78</b>      |

## B-Series Fireplaces



The B-Series, or Builders' Series, is designed to meet the competitive demands of the new construction market. This cost-effective fireplace comes with more standard features and options than any other competing model. It is available in the 34 inch or 38 inch sizes and has the following great features:

- Fibre log set with glowing embers
- Tempered glass with large viewing area
- Snap-lock door for tool free access to the firebox
- Choice of Natural Gas or Liquid Propane
- Top or rear Direct Vent flue outlets.
- Uses Montigo 4"/7" Direct Vent

### Ordering Information:

① **Choose the Fireplace:** *Note: Prices below do not include venting*

| <b>B34DV-2</b> [4"/7" Direct Vent]                                 | <b>Natural Gas [NG]</b> |           | <b>Propane [LP]</b> |           | <b>List Price</b> |
|--|-------------------------|-----------|---------------------|-----------|-------------------|
|  | Top Vent                | Rear Vent | Top Vent            | Rear Vent |                   |
| 18,000 BTU NG/LP   |                         |           |                     |           |                   |
| Standard Model with Hi/Lo Valve                                    | B34TN                   | B34RN     | B34TL               | B34RL     | \$ 1,129          |
| Model equipped with Proflame IPI [Elect. Intermittent Pilot Ign.]* | B34TNI                  | B34RNI    | B34TLI              | B34RLI    | \$ 1,299          |

| <b>B38DV-2</b> [4"/7" Direct Vent]                                 | <b>Natural Gas [NG]</b> |           | <b>Propane [LP]</b> |           | <b>List Price</b> |
|--|-------------------------|-----------|---------------------|-----------|-------------------|
|  | Top Vent                | Rear Vent | Top Vent            | Rear Vent |                   |
| 21,000 BTU NG/LP   |                         |           |                     |           |                   |
| Standard Model with Hi/Lo Valve                                    | B38TN                   | B38RN     | B38TL               | B38RL     | \$ 1,235          |
| Model equipped with Proflame IPI [Elect. Intermittent Pilot Ign.]* | B38TNI                  | B38RNI    | B38TLI              | B38RLI    | \$ 1,395          |

\* IPI Base Builders System does not include remote control.

*Consult your local Montigo representative regarding models equipped for use at high altitudes.*

## B-Series Accessories

### ② Choose a Decorative Trim Package: [Must be ordered to complete the fireplace - field installed]

| Decorative Trim Packages   | B34DV-2    |            | B38DV-2    |            |
|--|------------|------------|------------|------------|
|  | Order Code | List Price | Order Code | List Price |
| Satin Black - [6 pieces]   | 34HTSB6    | \$ 45.00   | 38HTSB6    | \$ 45.00   |
| Polished Brass - [6 pieces]  | 34HTPB6    | \$ 55.00   | 38HTPB6    | \$ 55.00   |
| Stainless Steel - [6 pieces]   | 34HTSS6    | \$ 70.00   | 38HTSS6    | \$ 70.00   |
| Laser Cut Willow Pattern Finished in Satin Black - [2 pieces] limited to stock on hand | LC34TSB    | \$ 445.00  | LC38TSB    | \$ 475.00  |

### ③ Choose any required venting components:

Refer to **pages 65 - 66** for a complete list of 4"/7" direct vent components.

### ④ Choose Optional Accessories: [field installed]

| Accessories   | B34DV-2    |            | B38DV-2    |            |
|---|------------|------------|------------|------------|
|   | Order Code | List Price | Order Code | List Price |
| Colonial Fibre Brick Lining - [white]   | RBRK008    | \$ 189.00  | RBRK138    | \$ 209.00  |
| Heritage Fibre Brick Lining - [brown]   | RBRK608    | \$ 219.00  | RBRK618    | \$ 239.00  |
| 2-Fan Kit - [manual control]  | RFK1002    | \$ 119.00  | RFK1002    | \$ 119.00  |
| 2-Fan Kit - [heat activated]  | RFK1003    | \$ 139.00  | RFK1003    | \$ 139.00  |
| 4-Fan Kit - [manual control]  | RFK1006    | \$ 179.00  | RFK1006    | \$ 179.00  |
| 4-Fan Kit - [heat activated]  | RFK1007    | \$ 199.00  | RFK1007    | \$ 199.00  |
| [see page 78 for bulk fan pricing]  |            |            |            |            |
| Arched Door Cover - [satin black]   | DOA01      | \$ 115.00  | DOA02      | \$ 125.00  |
| Starburst Door Cover - [satin black]  | DOS01      | \$ 159.00  | DOS02      | \$ 169.00  |
| <b>SIT IPI System Only</b>  |            |            |            |            |
| Wireless Remote Control Kit - [ON/Off, thermostatic control, receiver, transmitter, wire harness, flame modulation (stepper motor)] | RX88NG     | \$ 399.00  | RX88NG     | \$ 399.00  |
|   | RX88LP     | \$ 399.00  | RX88LP     | \$ 399.00  |
| Fan Speed Control - [required to operate fans via remote control]   | RFCB       | \$ 100.00  | RFCB       | \$ 100.00  |
| Emergency Battery Back-up   | AF40BP     | \$ 45.00   | AF40BP     | \$ 45.00   |
| <b>Standing Pilot Only</b>  |            |            |            |            |
| Wireless Remote Control Kit - [on/off only]   | RX40       | \$ 179.00  | RX40       | \$ 179.00  |
| Wireless Remote Control Kit - [on/off + thermostatic control]   | RX60       | \$ 229.00  | RX60       | \$ 229.00  |
| Wireless Remote Control Kit - [on/off, thermostatic control, receiver, transmitter, wire harness, flame modulation (stepper motor)] | RX82NG     | \$ 399.00  | RX82NG     | \$ 399.00  |
|   | RX82LP     | \$ 399.00  | RX82LP     | \$ 399.00  |
| Fan Speed Control - [required to operate fans via remote control]   | RFCB       | \$ 100.00  | RFCB       | \$ 100.00  |
| Digital Thermostat - [programmable]   | RTS01      | \$ 119.00  | RTS01      | \$ 119.00  |
| Digital Thermostat - [non-programmable]   | RTS02      | \$ 89.00   | RTS02      | \$ 89.00   |
| Safety Door Screen  | BSC34      | \$ 100.00  | BSC38      | \$ 100.00  |
| Dual Receptacle Box - [with manual fan speed control]   | DRB001     | \$ 79.00   | DRB001     | \$ 79.00   |

## H-Series Louvered Fireplaces



The H-Series Louvered updates the horizontal trim used on most single sided Montigo fireplaces with a new louvered trim style. The series is complemented by a larger view of the fire, a new pan-style burner. Models are available in 34", 38" and 42" sizes which come with the following features:

- Louvered design
- Fibre log set
- Black square door with tempered glass
- Snap-lock door for access to the firebox
- Supplied with standard millivolt control
- Choice of Natural Gas or Liquid Propane
- May be installed using Top or Rear Direct Vent flue outlets

### Ordering Information:

#### ① Choose the Fireplace: *Note: prices below do not include venting*

| <b>H34DL</b> [4"/7" Direct Vent]                                   | <b>Natural Gas [NG]</b> | <b>Propane [LP]</b> | <b>List Price</b> |
|--|-------------------------|---------------------|-------------------|
| 18,000 BTU NG/LP   | Top & Rear Vent         | Top & Rear Vent     | Standard          |
| Standard Model with Hi/Lo Valve                                    | H34DLN                  | H34DLL              | \$ 1,269          |
| Model equipped with Proflame IPI [Elect. Intermittent Pilot Ign.]* | H34DLNI                 | H34DLLI             | \$ 1,439          |

| <b>HC34DL</b> [4"/7" Direct Vent] model equipped for mobile home use | <b>Natural Gas [NG]</b>           | <b>Propane [LP]</b> | <b>List Price</b> |
|--|-----------------------------------|---------------------|-------------------|
| 22,000 BTU NG/LP   | Top & Rear Vent                   | Top & Rear Vent     | Standard          |
| Standard Model with Hi/Lo Valve                                      | HB34DLM - conversion kit included |                     | \$ 1,429          |

| <b>H38DL</b> [5"/8" Direct Vent]                                   | <b>Natural Gas [NG]</b> | <b>Propane [LP]</b> | <b>List Price</b> |
|--|-------------------------|---------------------|-------------------|
| 26,000 BTU NG/LP   | Top & Rear Vent         | Top & Rear Vent     |                   |
| Standard Model with Hi/Lo Valve                                    | H38DLN                  | H38DLL              | \$ 1,429          |
| Model equipped with Proflame IPI [Elect. Intermittent Pilot Ign.]* | H38DLNI                 | H38DLLI             | \$ 1,599          |

| <b>H42DL</b> [5"/8" Direct Vent]                                   | <b>Natural Gas [NG]</b> | <b>Propane [LP]</b> | <b>List Price</b> |
|--|-------------------------|---------------------|-------------------|
| 34,000 BTU NG / 32,000 BTU LP                                      | Top & Rear Vent         | Top & Rear Vent     |                   |
| Standard Model with Hi/Lo Valve                                    | H42DLN                  | H42DLL              | \$ 2,009          |
| Model equipped with Proflame IPI [Elect. Intermittent Pilot Ign.]* | H42DLNI                 | H42DLLI             | \$ 2,179          |

\* IPI Base Builders System does not include remote control.

Consult your local Montigo representative regarding models equipped for use at high altitudes.

## H-Series Louvered Accessories

### ② Choose a Louvered Trim Package: [Must be added to complete the fireplace - field installed]

| Decorative Louvered Trim Packages | H34DL      |            | H38DL      |            | H42DL      |            |
|-----------------------------------|------------|------------|------------|------------|------------|------------|
|                                   | Order Code | List Price | Order Code | List Price | Order Code | List Price |
| Satin Black - [6 pieces]          | H34LTSB    | \$ 85.00   | H38LTSB    | \$ 105.00  | H42LTSB    | \$ 129.00  |
| Polished Brass - [6 pieces]       | H34LTPB    | \$ 115.00  | H38LTPB    | \$ 139.00  | H42LTPB    | \$ 159.00  |
| Stainless Steel - [6 pieces]      | H34LTSS    | \$ 159.00  | H38LTSS    | \$ 180.00  | H42LTSS    | \$ 199.00  |

### ③ Choose any required venting components:

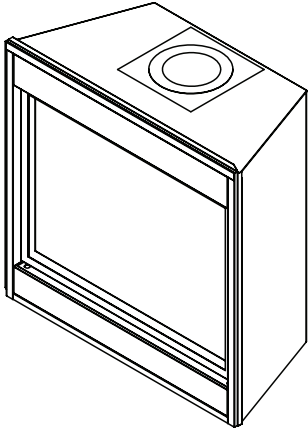
H34DL + HC34DL models - refer to **pages 65 - 66** for a complete list of 4"/7" direct vent components.

H38DL + H42DL models - refer to **pages 67 - 68** for a complete list of 5"/8" direct vent components.

### ④ Choose Optional Accessories: [field installed]

| Accessories   | H34DL            |                        | H38DL            |                        | H42DL            |                        |
|---|------------------|------------------------|------------------|------------------------|------------------|------------------------|
|   | Order Code       | List Price             | Order Code       | List Price             | Order Code       | List Price             |
| Colonial Fibre Brick Lining - [white]   | HBK34SHC         | \$ 189.00              | HBK38C           | \$ 209.00              | HBK42C           | \$ 219.00              |
| Heritage Fibre Brick Lining - [brown]   | HBK34SHR         | \$ 219.00              | HBK38R           | \$ 245.00              | HBK42R           | \$ 255.00              |
| Herring Bone Fibre Brick Lining   | HBK34H           | \$ 219.00              | HBK38H           | \$ 269.00              | HBK42H           | \$ 279.00              |
| Wrought Iron Grate  | HWIG34           | \$ 55.00               | HWIG38           | \$ 55.00               | HWIG42           | \$ 55.00               |
| Arched Door Cover - [satin black]   | HDOA34           | \$ 115.00              | HDOA38           | \$ 125.00              | HDOA42           | \$ 135.00              |
| Starburst Door Cover - [satin black]  | HDOS34           | \$ 159.00              | HDOS38           | \$ 169.00              | HDOS42           | \$ 179.00              |
| 2 Piece Cross-flow Blower Kit - [manual control]  | HFK34            | \$ 199.00              | HFK34            | \$ 199.00              | HFK34            | \$ 199.00              |
| 2 Piece Cross-flow Blower Kit - [heat-activated control]  | HFK34H           | \$ 249.00              | HFK34H           | \$ 249.00              | HFK34H           | \$ 249.00              |
| <b>SIT IPI System Only</b>  |                  |                        |                  |                        |                  |                        |
| Wireless Remote Control Kit -<br>[on/off, thermostatic control, receiver, transmitter, wire harness,<br>modulating regulator (stepper motor)] | RX88NG<br>RX88LP | \$ 399.00<br>\$ 399.00 | RX88NG<br>RX88LP | \$ 399.00<br>\$ 399.00 | RX88NG<br>RX88LP | \$ 399.00<br>\$ 399.00 |
| Fan Speed Control - [required to operate fans via remote control]   | RFCB             | \$ 100.00              | RFCB             | \$ 100.00              | RFCB             | \$ 100.00              |
| Emergency Battery Back-up   | AF40BP           | \$ 45.00               | AF40BP           | \$ 45.00               | AF40BP           | \$ 45.00               |
| <b>Standing Pilot Only</b>  |                  |                        |                  |                        |                  |                        |
| Wireless Remote Control Kit - [on/off only]   | RX40             | \$ 179.00              | RX40             | \$ 179.00              | RX40             | \$ 179.00              |
| Wireless Remote Control Kit - [on/off+ thermostatic control]  | RX60             | \$ 229.00              | RX60             | \$ 229.00              | RX60             | \$ 229.00              |
| Wireless Remote Control Kit -<br>[on/off, thermostatic control, receiver, transmitter, wire harness,<br>modulating regulator (stepper motor)] | RX82NG<br>RX82LP | \$ 399.00<br>\$ 399.00 | RX82NG<br>RX82LP | \$ 399.00<br>\$ 399.00 | RX82NG<br>RX82LP | \$ 399.00<br>\$ 399.00 |
| Fan Speed Control - [required to operate fans via remote control]   | RFCB             | \$ 100.00              | RFCB             | \$ 100.00              | RFCB             | \$ 100.00              |
| Digital Thermostat - [programmable]   | RTS01            | \$ 119.00              | RTS01            | \$ 119.00              | RTS01            | \$ 119.00              |
| Digital Thermostat - [non-programmable]   | RTS02            | \$ 89.00               | RTS02            | \$ 89.00               | RTS02            | \$ 89.00               |
| Safety Door Screen  | HSC34            | \$ 100.00              | HSC38W           | \$ 100.00              | HSC42W           | \$ 150.00              |
| Dual Receptacle Box - [with manual fan speed control]   | DRB001           | \$ 79.00               | DRB001           | \$ 79.00               | DRB001           | \$ 79.00               |

## H34 H-Series Fireplaces



The H34DF is a single sided direct vent fireplace. The main feature in this series is that you can install rock or tile over the frame. The H-Series Flush fireplaces are available in 4 models; standard, mobile home rated, linear burners and with cultured designer rocks. The H\*34DF come with the following features: (Features vary depending on model below)

- Clean face design
- Available in 3 burner styles: Traditional, Linear Contemporary, River Rock
- Black square door with tempered glass
- Snap-lock door for access to the firebox
- Supplied with standard millivolt control
- Natural Gas or Liquid Propane
- Installed using Top or Rear Direct Vent
- Available in Stainless steel construction
- Fibre log set for H34DF
- Decorative firestones for HL34DF
- Designer Rocks for HR34DF model

### Ordering Information:

① **Choose the Fireplace:** *Note: prices below do not include venting. Specify if stainless steel unit is for outdoor use.*

| H34DF [4"/7" Direct Vent]   | Natural Gas [NG] | Propane [LP]    | List Price |                         |
|---|------------------|-----------------|------------|-------------------------|
| 18,000 BTU NG/LP  | Top & Rear Vent  | Top & Rear Vent | Standard   | Stainless Steel HS34DF* |
| Standard Model with Hi/Lo Valve                                     | H34DFN           | H34DFL          | \$ 1,429   | \$ 2,940                |
| Model equipped with Proflame IPI [Elect. Intermittent Pilot Ign.]** | H34DFNI          | H34DFLI         | \$ 1,599   | \$ 3,200                |

| HC34DF [4"/7" Direct Vent]  | Natural Gas [NG] | Propane [LP]    | List Price |                          |
|---|------------------|-----------------|------------|--------------------------|
| 22,000 BTU NG/LP  | Top & Rear Vent  | Top & Rear Vent | Standard   | Stainless Steel HCS34DF* |
| Standard Model with Hi/Lo Valve                                     | HC34DFN          | HC34DFL         | \$ 1,515   | \$ Call                  |
| Model equipped with Proflame IPI [Elect. Intermittent Pilot Ign.]** | HC34DFNI         | HC34DFLI        | \$ 1,675   | \$ Call                  |

| HL34DF [4"/7" Direct Vent]  | Natural Gas [NG]      | Propane [LP]    | List Price |                          |
|---|-----------------------|-----------------|------------|--------------------------|
| 20,000 BTU NG/LP  | Top & Rear Vent       | Top & Rear Vent | Standard   | Stainless Steel HLS34DF* |
| Model equipped with Proflame IPI [Elect. Intermittent Pilot Ign.]**<br>2nd Generation Linear Burner | HL34DFNI              | HL34DFLI        | \$ 1,675   | \$ 3,260                 |
| Decorative Glass Beads [Supplied]   | Qty                   | Part            | List Price |                          |
| White, Silver, Opaque as supplied [other options see pg 64]   | 6lbs per installation | DGB01           | \$ N/C     |                          |

| HR34DF [4"/7" Direct Vent]  | Natural Gas [NG] | Propane [LP]    | List Price |                          |
|---|------------------|-----------------|------------|--------------------------|
| 18,000 BTU NG   | Top & Rear Vent  | Top & Rear Vent | Standard   | Stainless Steel HRS34DF* |
| Standard Model with Hi/Lo Valve                                     | HR34DFN          | N/A             | \$ 1,625   | \$ 3,210                 |
| Model equipped with Proflame IPI [Elect. Intermittent Pilot Ign.]** | HR34DFNI         | N/A             | \$ 1,785   | \$ 3,370                 |

\*\* IPI Base Builders System does not include remote control.

Consult your local Montigo representative regarding models equipped for use at high altitudes.

## H34 H-Series Accessories

### ② Choose any required venting components:

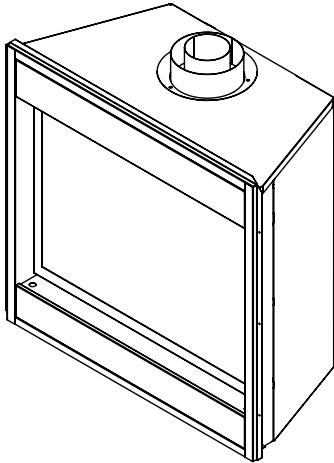
Refer to **pages 65 - 66** for a complete list of 4"/7" direct vent components.

### ③ Choose Optional Accessories: [field installed]

For model HL34DF refer to **page 64** for designer burner accessories.

| Accessories   | H34DF      |            | HC34DF     |            | HL34DF     |            | HR34DF     |            |
|---|------------|------------|------------|------------|------------|------------|------------|------------|
|   | Order Code | List Price | Order Code | List Price | Order Code | List Price | Order Code | List Price |
| Colonial Fibre Brick Lining - [white]   | HBK34SHC   | \$ 189.00  | N/A        |            | N/A        |            | N/A        |            |
| Heritage Fibre Brick Lining - [brown]   | HBK34SHR   | \$ 219.00  | N/A        |            | N/A        |            | N/A        |            |
| Herring Bone Fibre Brick Lining   | HBK34H     | \$ 219.00  | N/A        |            | N/A        |            | N/A        |            |
| Wrought Iron Grate  | HWIG34     | \$ 55.00   | N/A        |            | N/A        |            | N/A        |            |
| Arched Door Cover - [satin black]   | HDOA34     | \$ 115.00  | HDOA34     | \$ 115.00  | HDOA34     | \$ 115.00  | HDOA34     | \$ 115.00  |
| Starburst Door Cover - [satin black]  | HDOS34     | \$ 159.00  | HDOS34     | \$ 159.00  | HDOS34     | \$ 159.00  | HDOS34     | \$ 159.00  |
| Decorative Surround - [satin black]   | H34FPSB    | \$ 350.00  | H34FPSB    | \$ 350.00  | H34FPSB    | \$ 350.00  | H34FPSB    | \$ 350.00  |
| Decorative Surround - [stainless steel]   | H34FPSS    | \$ 750.00  | H34FPSS    | \$ 750.00  | H34FPSS    | \$ 750.00  | H34FPSS    | \$ 750.00  |
| 2 Piece Cross-flow Blower Kit - [manual control]  | HFK34      | \$ 199.00  | HFK34      | \$ 199.00  | HFK34      | \$ 199.00  | HFK34      | \$ 199.00  |
| 2 Piece Cross-flow Blower Kit - [heat-activated control]  | HFK34H     | \$ 249.00  | HFK34H     | \$ 249.00  | HFK34H     | \$ 249.00  | HFK34H     | \$ 249.00  |
| <b>SIT IPI System Only</b>  |            |            |            |            |            |            |            |            |
| Wireless Remote Control Kit - [on/off, thermostatic control, receiver, transmitter, wire harness, flame modulation (stepper motor)] | RX88NG     | \$ 399.00  | RX88NG     | \$ 399.00  | RX88NG     | \$ 399.00  | RX88NG     | \$ 399.00  |
|   | RX88LP     | \$ 399.00  | RX88LP     | \$ 399.00  | RX88LP     | \$ 399.00  | N/A        |            |
| Fan Speed Control - [required to operate fans via remote control]   | RFCB       | \$ 100.00  | RFCB       | \$ 100.00  | RFCB       | \$ 100.00  | RFCB       | \$ 100.00  |
| Emergency Battery Back-up   | AF40BP     | \$ 45.00   | AF40BP     | \$ 45.00   | AF40BP     | \$ 45.00   | AF40BP     | \$ 45.00   |
| <b>Standing Pilot Only</b>  |            |            |            |            |            |            |            |            |
| Wireless Remote Control Kit - [on/off only]   | RX40       | \$ 179.00  | RX40       | \$ 179.00  | RX40       | \$ 179.00  | RX40       | \$ 179.00  |
| Wireless Remote Control Kit - [on/off + thermostatic control]   | RX60       | \$ 229.00  | RX60       | \$ 229.00  | RX60       | \$ 229.00  | RX60       | \$ 229.00  |
| Wireless Remote Control Kit - [on/off, thermostatic control, receiver, transmitter, wire harness, flame modulation (stepper motor)] | RX82NG     | \$ 399.00  | RX82NG     | \$ 399.00  | RX82NG     | \$ 399.00  | RX82NG     | \$ 399.00  |
|   | RX82LP     | \$ 399.00  | RX82LP     | \$ 399.00  | RX82LP     | \$ 399.00  | N/A        |            |
| Fan Speed Control- [required to operate fans via remote control]  | RFCB       | \$ 100.00  | RFCB       | \$ 100.00  | RFCB       | \$ 100.00  | RFCB       | \$ 100.00  |
| Digital Thermostat - [programmable]   | RTS01      | \$ 119.00  | RTS01      | \$ 119.00  | RTS01      | \$ 119.00  | RTS01      | \$ 119.00  |
| Digital Thermostat - [non-programmable]   | RTS02      | \$ 89.00   | RTS02      | \$ 89.00   | RTS02      | \$ 89.00   | RTS02      | \$ 89.00   |
| Safety Door Screen  | HSC34      | \$ 100.00  | HSC34      | \$ 100.00  | HSC34      | \$ 100.00  | HSC34      | \$ 100.00  |
| Dual Receptacle Box - [with manual fan speed control]   | DRB001     | \$ 79.00   | DRB001     | \$ 79.00   | DRB001     | \$ 79.00   | DRB001     | \$ 79.00   |

## H38 H-Series Fireplaces



The H38DF-Series Flush are single sided direct vent fireplaces without louvers or trim. The main feature in this series is that you can install rock or tile over the frame. This series is complemented by a larger view of the fire and a pan style burner. The H-Series Flush fireplaces are available in 4 models; Standard, Linear burner, Designer Rock & Premium HW. The H\*38DF come with the following features: (Features will vary depending on model below)

- Clean face design
- Available in 4 burner styles: Traditional, Linear Contemporary, River Rock, Wildfire
- Black square door with tempered glass (HW38DF with ceramic glass)
- Snap-lock door for access to the firebox
- Supplied with standard millivolt control
- Choice of Natural Gas or Liquid Propane
- May be installed using Top or Rear Direct Vent
- Available in Stainless steel construction
- Fibre Logset for H38DF
- Decorative firestones for HL38DF
- Designer Rocks for HR38DF model

### Ordering Information:

① **Choose the Fireplace:** *Note: prices below do not include venting. Specify if stainless steel unit is for outdoor use.*

| H38DF [5"/8" Direct Vent]   | Natural Gas [NG] | Propane [LP]    | List Price |                         |
|---|------------------|-----------------|------------|-------------------------|
| 26,000 BTU NG/LP  | Top & Rear Vent  | Top & Rear Vent | Standard   | Stainless Steel HS38DF* |
| Standard Model with Hi/Lo Valve                                     | H38DFN           | H38DFL          | \$ 1,589   | \$ 3,100                |
| Model equipped with Proflame IPI [Elect. Intermittent Pilot Ign.]** | H38DFNI          | H38DFLI         | \$ 1,759   | \$ 3,300                |

| HL38DF [5"/8" Direct Vent]  | Natural Gas [NG]      | Propane [LP]    | List Price |                          |
|---|-----------------------|-----------------|------------|--------------------------|
| 25,000 BTU NG/LP  | Top & Rear Vent       | Top & Rear Vent | Standard   | Stainless Steel HLS38DF* |
| Model equipped with Hi/Lo Valve<br>1st Generation Linear Burner                                     | HL38DFN               | HL38DFL         | \$ 1,655   | \$ 3,250                 |
| Model equipped with Proflame IPI [Elect. Intermittent Pilot Ign.]**<br>2nd Generation Linear Burner | HL38DFNI              | HL38DFLI        | \$ 1,915   | \$ 3,500                 |
| Decorative Glass Beads [Supplied]   | Qty                   | Part            | List Price |                          |
| White, Silver, Opaque as supplied [other options see pg 64]   | 9lbs per installation | DGB01           | \$ N/C     |                          |

| HR38DF [5"/8" Direct Vent]  | Natural Gas [NG] | Propane [LP]    | List Price |                          |
|---|------------------|-----------------|------------|--------------------------|
| 26,000 BTU NG   | Top & Rear Vent  | Top & Rear Vent | Standard   | Stainless Steel HRS38DF* |
| Standard Model with Hi/Lo Valve                                     | HR38DFN          | N/A             | \$ 1,805   | \$ 3,400                 |
| Model equipped with Proflame IPI [Elect. Intermittent Pilot Ign.]** | HR38DFNI         | N/A             | \$ 2,065   | \$ 3,600                 |

| HW38DF [5"/8" Direct Vent]  | Natural Gas [NG] | Propane [LP]    | List Price |  |
|---|------------------|-----------------|------------|--|
| 34,000 BTU NG / 30,000 BTU LP                                       | Top & Rear Vent  | Top & Rear Vent | Standard   |  |
| Standard Model with Hi/Lo Valve                                     | HW38DFN          | HW38DFL         | \$ 2,199   |  |
| Model equipped with Proflame IPI [Elect. Intermittent Pilot Ign.]** | HW38DFNI         | HW38DFLI        | \$ 2,499   |  |

\*\* IPI Base Builders System does not include remote control.

Consult your local Montigo representative regarding models equipped for use at high altitudes.

## H38 H-Series Accessories

### ② Choose any required venting components:

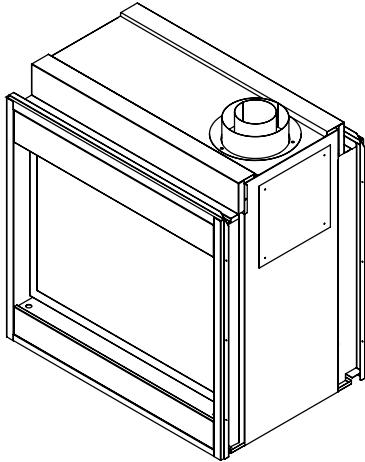
Refer to **pages 67 - 68** for a complete list of 5"/8" direct vent components.

### ③ Choose Optional Accessories: [field installed]

For model HL38DF refer to **page 64** for designer burner accessories.

| Accessories   | H38DF      |            | HL38DF     |            | HR38DF     |            | HW38DF     |            |
|---|------------|------------|------------|------------|------------|------------|------------|------------|
|   | Order Code | List Price | Order Code | List Price | Order Code | List Price | Order Code | List Price |
| Colonial Fibre Brick Lining - [white]   | HBK38C     | \$ 209.00  | N/A        |            | N/A        |            | N/A        |            |
| Heritage Fibre Brick Lining - [brown]   | HBK38R     | \$ 245.00  | N/A        |            | N/A        |            | N/A        |            |
| Herring Bone Fibre Brick Lining   | HBK38H     | \$ 269.00  | N/A        |            | N/A        |            | STANDARD   |            |
| Wrought Iron Grate  | HWIG38     | \$ 55.00   | N/A        |            | N/A        |            | STANDARD   |            |
| Arched Door Cover - [satin black]   | HDOA38     | \$ 125.00  | HDOA38     | \$ 125.00  | HDOA38     | \$ 125.00  | HDOA38     | \$ 125.00  |
| Starburst Door Cover - [satin black]  | HDOS38     | \$ 169.00  | HDOS38     | \$ 169.00  | HDOS38     | \$ 169.00  | HDOS38     | \$ 169.00  |
| Decorative Surround - [satin black]   | H38FPSB    | \$ 400.00  | H38FPSB    | \$ 400.00  | H38FPSB    | \$ 400.00  | H38FPSB    | \$ 400.00  |
| Decorative Surround - [stainless steel]   | H38FPSS    | \$ 800.00  | H38FPSS    | \$ 800.00  | H38FPSS    | \$ 800.00  | H38FPSS    | \$ 800.00  |
| 2 Piece Cross-flow Blower Kit - [manual control]  | HFK34      | \$ 199.00  | HFK34      | \$ 199.00  | HFK34      | \$ 199.00  | HFK34      | \$ 199.00  |
| 2 Piece Cross-flow Blower Kit - [heat-activated control]  | HFK34H     | \$ 249.00  | HFK34H     | \$ 249.00  | HFK34H     | \$ 249.00  | HFK34H     | \$ 249.00  |
| <b>SIT IPI System Only</b>  |            |            |            |            |            |            |            |            |
| Wireless Remote Control Kit - [on/off, thermostatic control, receiver, transmitter, wire harness, flame modulation (stepper motor)] | RX88NG     | \$ 399.00  | RX88NG     | \$ 399.00  | RX88NG     | \$ 399.00  | RX88NG     | \$ 399.00  |
|   | RX88LP     | \$ 399.00  | RX88LP     | \$ 399.00  | N/A        |            | RX88LP     | \$ 399.00  |
| Fan Speed Control - [required to operate fans via remote control]   | RFCB       | \$ 100.00  | RFCB       | \$ 100.00  | RFCB       | \$ 100.00  | RFCB       | \$ 100.00  |
| Emergency Battery Back-up   | AF40BP     | \$ 45.00   | AF40BP     | \$ 45.00   | AF40BP     | \$ 45.00   | AF40BP     | \$ 45.00   |
| <b>Standing Pilot Only</b>  |            |            |            |            |            |            |            |            |
| Wireless Remote Control Kit - [on/off only]   | RX40       | \$ 179.00  | RX40       | \$ 179.00  | RX40       | \$ 179.00  | RX40       | \$ 179.00  |
| Wireless Remote Control Kit - [on/off + thermostatic control]   | RX60       | \$ 229.00  | RX60       | \$ 229.00  | RX60       | \$ 229.00  | RX60       | \$ 229.00  |
| Wireless Remote Control Kit - [on/off, thermostatic control, receiver, transmitter, wire harness, flame modulation (stepper motor)] | RX82NG     | \$ 399.00  | RX82NG     | \$ 399.00  | RX82NG     | \$ 399.00  | RX82NG     | \$ 399.00  |
|   | RX82LP     | \$ 399.00  | RX82LP     | \$ 399.00  | N/A        |            | RX82LP     | \$ 399.00  |
| Fan Speed Control - [required to operate fans via remote control]   | RFCB       | \$ 100.00  | RFCB       | \$ 100.00  | RFCB       | \$ 100.00  | RFCB       | \$ 100.00  |
| Digital Thermostat - [programmable]   | RTS01      | \$ 119.00  | RTS01      | \$ 119.00  | RTS01      | \$ 119.00  | RTS01      | \$ 119.00  |
| Digital Thermostat - [non-programmable]   | RTS02      | \$ 89.00   | RTS02      | \$ 89.00   | RTS02      | \$ 89.00   | RTS02      | \$ 89.00   |
| Safety Door Screen  | HSC38W     | \$ 100.00  | HSC38W     | \$ 100.00  | HSC38W     | \$ 100.00  | HSC38W     | \$ 100.00  |
| Dual Receptacle Box - [with manual fan speed control]   | DRB001     | \$ 79.00   | DRB001     | \$ 79.00   | DRB001     | \$ 79.00   | DRB001     | \$ 79.00   |

## H38-ST H-Series Fireplaces



The H38DF-ST Series, are see-thru sided direct vent fireplaces without louvers or trim. The main feature in this series is that you can install rock or tile over the frame. This series is complemented by a larger view of the fire and a pan style burner. The H38DF-ST Series Flush fireplaces are available in 3 models, standard, Linear burner and Stainless steel.

The H\*38DF-ST comes with the following features. Features vary depending on model.

- Clean face design
- Fibre log set & glowing embers, H38DF-ST
- Black square door with tempered glass.
- Snap-lock door for tool free access to the firebox.
- Supplied with standard millivolt control.
- Choice of Natural Gas or Liquid Propane.
- May be installed Top or Side Direct Vent
- Linear Burners, HL38DF-ST model, with firestones
- Available in Stainless steel construction
- Traditional burner with fibre logset, brick lining & wrought iron grate, H38DF-ST.

### Ordering Information:

① **Choose the Fireplace:** *Note: prices below do not include venting. Specify if stainless steel unit is for outdoor use.*

| H38DFST [5"/8" Direct Vent]   | Natural Gas [NG] | Propane [LP]    | List Price |                           |
|---|------------------|-----------------|------------|---------------------------|
| 34,000 BTU NG/32,000 BTU LP   | Top & Side Vent  | Top & Side Vent | Standard   | Stainless Steel HS38DFST* |
| Standard Model with Hi/Lo Valve                                     | H38FSDN          | H38FSDL         | \$ 3,115   | \$ 4,699                  |
| Model equipped with Proflame IPI [Elect. Intermittent Pilot Ign.]** | H38FSDNI         | H38FSDLI        | \$ 3,275   | \$ 4,949                  |

| HL38DFST [5"/8" Direct Vent]  | Natural Gas [NG]       | Propane [LP]    | List Price |                            |
|---|------------------------|-----------------|------------|----------------------------|
| 34,000 BTU NG/32,000 BTU LP   | Top & Side Vent        | Top & Side Vent | Standard   | Stainless Steel HLS38DFST* |
| Standard Model with Hi/Lo Valve<br>1st Generation Linear Burner                                     | HL38FSDN               | HL38FSDL        | \$ 3,115   | \$ 4,699                   |
| Model equipped with Proflame IPI [Elect. Intermittent Pilot Ign.]**<br>2nd Generation Linear Burner | HL38FSDNI              | HL38FSDLI       | \$ 3,275   | \$ 4,949                   |
| Decorative Glass Beads [Supplied]   | Qty                    | Part            | List Price |                            |
| White, Silver, Opaque as supplied [other options see pg 64]   | 18lbs per installation | DGB01           | \$ N/C     |                            |

\*\* IPI Base Builders System does not include remote control.

Consult your local Montigo representative regarding models equipped for use at high altitudes.

## H38-ST H-Series Accessories

### ② Choose any required venting components:

Refer to **pages 67 - 68** for a complete list of 5"/8" direct vent components.

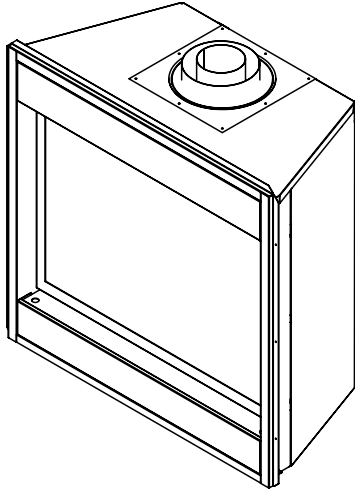
### ③ Choose Optional Accessories: [field installed]

For models HL38DFST refer to **page 64** for designer burner accessories.

| Accessories   | H38DFST    |            | HL38DFST   |            |
|---|------------|------------|------------|------------|
|   | Order Code | List Price | Order Code | List Price |
| Heritage Fibre Brick Lining - [brown]   | STANDARD   |            | N/A        |            |
| Wrought Iron Grate  | STANDARD   |            | N/A        |            |
| Arched Door Cover* - [satin black]  | HDOA38     | \$ 125.00  | HDOA38     | \$ 125.00  |
| Starburst Door Cover* - [satin black]   | HDOS38     | \$ 169.00  | HDOS38     | \$ 169.00  |
| Decorative Surround* - [satin black]  | H38FPSB    | \$ 400.00  | H38FPSB    | \$ 400.00  |
| Decorative Surround* - [stainless steel]  | H38FPSS    | \$ 800.00  | H38FPSS    | \$ 800.00  |
| 2 Piece Cross-flow Blower Kit - [manual control]  | HFK34      | \$ 199.00  | HFK34      | \$ 199.00  |
| 2 Piece Cross-flow Blower Kit - [heat-activated control]  | HFK34H     | \$ 249.00  | HFK34H     | \$ 249.00  |
| <b>SIT IPI System Only</b>  |            |            |            |            |
| Wireless Remote Control Kit - [on/off, thermostatic control, receiver, transmitter, wire harness, flame modulation (stepper motor)] | RX88NG     | \$ 399.00  | RX88NG     | \$ 399.00  |
|   | RX88LP     | \$ 399.00  | RX88LP     | \$ 399.00  |
| Fan Speed Control - [required to operate fans via remote control]   | RFCB       | \$ 100.00  | RFCB       | \$ 100.00  |
| Emergency Battery Back-up   | AF40BP     | \$ 45.00   | AF40BP     | \$ 45.00   |
| <b>Standing Pilot Only</b>  |            |            |            |            |
| Wireless Remote Control Kit - [on/off only]   | RX40       | \$ 179.00  | RX40       | \$ 179.00  |
| Wireless Remote Control Kit - [on/off + thermostatic control]   | RX60       | \$ 229.00  | RX60       | \$ 229.00  |
| Wireless Remote Control Kit - [on/off, thermostatic control, receiver, transmitter, wire harness, flame modulation (stepper motor)] | RX82NG     | \$ 399.00  | RX82NG     | \$ 399.00  |
|   | RX82LP     | \$ 399.00  | RX82LP     | \$ 399.00  |
| Fan Speed Control - [required to operate fans via remote control]   | RFCB       | \$ 100.00  | RFCB       | \$ 100.00  |
| Digital Thermostat - [programmable]   | RTS01      | \$ 119.00  | RTS01      | \$ 119.00  |
| Digital Thermostat - [non-programmable]   | RTS02      | \$ 89.00   | RTS02      | \$ 89.00   |
| ONE [1] Safety Door Screen*   | HSC38W     | \$ 100.00  | HSC38W     | \$ 100.00  |
| Dual Receptacle Box - [with manual fan speed control]   | DRB001     | \$ 79.00   | DRB001     | \$ 79.00   |

\* Accessory is sold as an individual piece. Two orders are required to finish both sides of the fireplace.

## H42 H-Series Fireplaces



The H42DF-Series Flush are single sided direct vent fireplaces without louvers or trim. The main feature in this series is that you can install rock or tile over the frame. This series is complemented by a larger view of the fire and a pan style burner. The H-Series Flush fireplaces are available in 4 models; standard, linear burner, Designer Rock & Premium HW. The H\*42DF come with the following features: (Features vary depending on model below)

- Clean face design
- Available in 4 burner styles: Traditional, Linear Contemporary, River Rock , Wildfire
- Black square door with tempered glass
- Snap-lock door for access to the firebox
- Supplied with standard millivolt control.
- Choice of Natural Gas or Liquid Propane
- May be installed using Top or Rear Direct Vent
- Available in Stainless steel construction,
- Fibre Logset for H(S)42DF
- Decorative firestones for HL42DF
- Designer Rocks for HR42DF model
- Wildfire Logset for HW42DF

### Ordering Information:

① **Choose the Fireplace:** *Note: prices below do not include venting. Specify if stainless steel unit is for outdoor use.*

| H42DF [5"/8" Direct Vent]   | Natural Gas [NG] | Propane [LP]    | List Price |                         |
|---|------------------|-----------------|------------|-------------------------|
| 34,000 BTU NG/32,000 BTU LP   | Top & Rear Vent  | Top & Rear Vent | Standard   | Stainless Steel HS42DF* |
| Standard Model with Hi/Lo Valve                                     | H42DFN           | H42DFL          | \$ 2,169   | \$ 4,200                |
| Model equipped with Proflame IPI [Elect. Intermittent Pilot Ign.]** | H42DFNI          | H42DFLI         | \$ 2,339   | \$ 4,370                |

| HL42DF [5"/8" Direct Vent]  | Natural Gas [NG]       | Propane [LP]    | List Price |                          |
|---|------------------------|-----------------|------------|--------------------------|
| 34,000 BTU NG/32,000 BTU LP   | Top & Rear Vent        | Top & Rear Vent | Standard   | Stainless Steel HLS42DF* |
| Model equipped with Proflame IPI [Elect. Intermittent Pilot Ign.]**<br>2nd Generation Linear Burner | HL42DFNI               | HL42DFLI        | \$ 2,539   | \$ 4,570                 |
| Decorative Glass Beads [Supplied]   | Qty                    | Part            | List Price |                          |
| White, Silver, Opaque as supplied [other options see pg 64]   | 12lbs per installation | DGB01           | \$ N/C     |                          |

| HR42DF [5"/8" Direct Vent]  | Natural Gas [NG] | Propane [LP] | List Price |                          |
|---|------------------|--------------|------------|--------------------------|
| 34,000 BTU NG   | Top & Rear Vent  | N/A          | Standard   | Stainless Steel HRS42DF* |
| Standard Model with Hi/Lo Valve                                     | HR42DFN          | N/A          | \$ 2,439   | \$ 4,470                 |
| Model equipped with Proflame IPI [Elect. Intermittent Pilot Ign.]** | HR42DFNI         | N/A          | \$ 2,639   | \$ 4,670                 |

| HW42DF [5"/8" Direct Vent]  | Natural Gas [NG] | Propane [LP] | List Price |  |
|---|------------------|--------------|------------|--|
| 34,000 BTU NG   | Top & Rear Vent  | N/A          | Standard   |  |
| Standard Model with Hi/Lo Valve                                     | HW42DFN          | N/A          | \$ 2,669   |  |
| Model equipped with Proflame IPI [Elect. Intermittent Pilot Ign.]** | HW42DFNI         | N/A          | \$ 2,869   |  |

\*\* IPI Base Builders System does not include remote control.

Consult your local Montigo representative regarding models equipped for use at high altitudes.

## H42 H-Series Accessories

### ② Choose any required venting components:

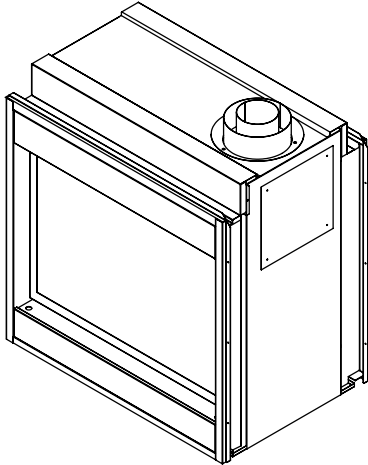
Refer to **pages 67 - 68** for a complete list of 5"/8" direct vent components.

### ③ Choose Optional Accessories: [field installed]

For model HL42DF refer to **page 64** for designer burner accessories.

| Accessories   | H42DF      |            | HL42DF     |            | HR42DF     |            | HW42DF     |            |
|---|------------|------------|------------|------------|------------|------------|------------|------------|
|   | Order Code | List Price | Order Code | List Price | Order Code | List Price | Order Code | List Price |
| Colonial Fibre Brick Lining - [white]   | HBK42C     | \$ 219.00  | N/A        |            | N/A        |            | N/A        |            |
| Heritage Fibre Brick Lining - [brown]   | HBK42R     | \$ 255.00  | N/A        |            | N/A        |            | N/A        |            |
| Herring Bone Fibre Brick Lining   | HBK42H     | \$ 279.00  | N/A        |            | N/A        |            | STANDARD   |            |
| Wrought Iron Grate  | HWIG42     | \$ 55.00   | N/A        |            | N/A        |            | STANDARD   |            |
| Arched Door Cover - [satin black]   | HDOA42     | \$ 135.00  | HDOA42     | \$ 135.00  | HDOA42     | \$ 135.00  | HDOA42     | \$ 135.00  |
| Starburst Door Cover - [satin black]  | HDOS42     | \$ 179.00  | HDOS42     | \$ 179.00  | HDOS42     | \$ 179.00  | HDOS42     | \$ 179.00  |
| Decorative Surround - [satin black]   | H42FPSB    | \$ 450.00  | H42FPSB    | \$ 450.00  | H42FPSB    | \$ 450.00  | H42FPSB    | \$ 450.00  |
| Decorative Surround - [stainless steel]   | H42FPSS    | \$ 850.00  | H42FPSS    | \$ 850.00  | H42FPSS    | \$ 850.00  | H42FPSS    | \$ 850.00  |
| 2 Piece Cross-flow Blower Kit - [manual control]  | HFK34      | \$ 199.00  | HFK34      | \$ 199.00  | HFK34      | \$ 199.00  | HFK34      | \$ 199.00  |
| 2 Piece Cross-flow Blower Kit - [heat-activated control]  | HFK34H     | \$ 249.00  | HFK34H     | \$ 249.00  | HFK34H     | \$ 249.00  | HFK34H     | \$ 249.00  |
| <b>SIT IPI System Only</b>  |            |            |            |            |            |            |            |            |
| Wireless Remote Control Kit - [on/off, thermostatic control, receiver, transmitter, wire harness, flame modulation (stepper motor)] | RX88NG     | \$ 399.00  | RX88NG     | \$ 399.00  | RX88NG     | \$ 399.00  | RX88NG     | \$ 399.00  |
|   | RX88LP     | \$ 399.00  | RX88LP     | \$ 399.00  | N/A        |            | RX88LP     | \$ 399.00  |
| Fan Speed Control - [required to operate fans via remote control]   | RFCB       | \$ 100.00  | RFCB       | \$ 100.00  | RFCB       | \$ 100.00  | RFCB       | \$ 100.00  |
| Emergency Battery Back-up   | AF40BP     | \$ 45.00   | AF40BP     | \$ 45.00   | AF40BP     | \$ 45.00   | AF40BP     | \$ 45.00   |
| <b>Standing Pilot Only</b>  |            |            |            |            |            |            |            |            |
| Wireless Remote Control Kit - [on/off only]   | RX40       | \$ 179.00  | RX40       | \$ 179.00  | RX40       | \$ 179.00  | RX40       | \$ 179.00  |
| Wireless Remote Control Kit - [on/off + thermostatic control]   | RX60       | \$ 229.00  | RX60       | \$ 229.00  | RX60       | \$ 229.00  | RX60       | \$ 229.00  |
| Wireless Remote Control Kit - [on/off, thermostatic control, receiver, transmitter, wire harness, flame modulation (stepper motor)] | RX82NG     | \$ 399.00  | RX82NG     | \$ 399.00  | RX82NG     | \$ 399.00  | RX82NG     | \$ 399.00  |
|   | RX82LP     | \$ 399.00  | RX82LP     | \$ 399.00  | N/A        |            | RX82LP     | \$ 399.00  |
| Fan Speed Control - [required to operate fans via remote control]   | RFCB       | \$ 100.00  | RFCB       | \$ 100.00  | RFCB       | \$ 100.00  | RFCB       | \$ 100.00  |
| Digital Thermostat - [programmable]   | RTS01      | \$ 119.00  | RTS01      | \$ 119.00  | RTS01      | \$ 119.00  | RTS01      | \$ 119.00  |
| Digital Thermostat - [non-programmable]   | RTS02      | \$ 89.00   | RTS02      | \$ 89.00   | RTS02      | \$ 89.00   | RTS02      | \$ 89.00   |
| Safety Door Screen  | HSC42W     | \$ 150.00  | HSC42W     | \$ 150.00  | HSC42W     | \$ 150.00  | HSC42W     | \$ 150.00  |
| Dual Receptacle Box - [with manual fan speed control]   | DRB001     | \$ 79.00   | DRB001     | \$ 79.00   | DRB001     | \$ 79.00   | DRB001     | \$ 79.00   |

## H42-ST H-Series Fireplaces



The H42DF-ST Series, are see-thru sided direct vent fireplaces without louvers or trim. The main feature in this series is that you can install rock or tile over the frame. This series is complemented by a larger view of the fire and a pan style burner. The H42DF-ST Series Flush fireplaces are available in 3 models, standard, Linear burner and Stainless steel.

The H\*42DF-ST come with the following features. (Features vary depending on model below)

- Clean face design
- Fibre log set & glowing embers, H42DF-ST
- Black square door with tempered glass.
- Snap-lock door for tool free access to the firebox.
- Supplied with standard millivolt control.
- Choice of Natural Gas or Liquid Propane.
- May be installed Top or Side Direct Vent
- Linear Burners, HL42DF-ST model, with firestones
- Available in Stainless steel construction model.
- Traditional burner with fibre logset, brick lining & wrought iron grate, H42DF-ST.

### Ordering Information:

① **Choose the Fireplace:** *Note: prices below do not include venting. Specify if stainless steel unit is for outdoor use.*

| H42DFST [5"/8" Direct Vent]   | Natural Gas [NG] | Propane [LP]    | List Price |                           |
|---|------------------|-----------------|------------|---------------------------|
| 37,000 BTU NG/LP  | Top & Side Vent  | Top & Side Vent | Standard   | Stainless Steel HS42DFST* |
| Standard Model with Hi/Lo Valve                                     | H42FSDN          | H42FSDL         | \$ 3,415   | \$ 5,199                  |
| Model equipped with Proflame IPI [Elect. Intermittent Pilot Ign.]** | H42FSDNI         | H42FSDLI        | \$ 3,565   | \$ 5,449                  |

| HL42DFST [5"/8" Direct Vent]  | Natural Gas [NG]       | Propane [LP]    | List Price |                            |
|---|------------------------|-----------------|------------|----------------------------|
| 37,000 BTU NG / 32,000 BTU LP   | Top & Side Vent        | Top & Side Vent | Standard   | Stainless Steel HLS42DFST* |
| Model equipped with Proflame IPI [Elect. Intermittent Pilot Ign.]**<br>2nd Generation Linear Burner | HL42FSDNI              | HL42FSDLI       | \$ 3,565   | \$ 5,449                   |
| Decorative Glass Beads [Supplied]   | Qty                    | Part            | List Price |                            |
| White, Silver, Opaque as supplied [other options see pg 64]   | 21lbs per installation | DGB01           | \$ N/C     |                            |

\*\* IPI Base Builders System does not include remote control.

Consult your local Montigo representative regarding models equipped for use at high altitudes.

## H42-ST H-Series Accessories

### ② Choose any required venting components:

Refer to **pages 67 - 68** for a complete list of 5"/8" direct vent components.

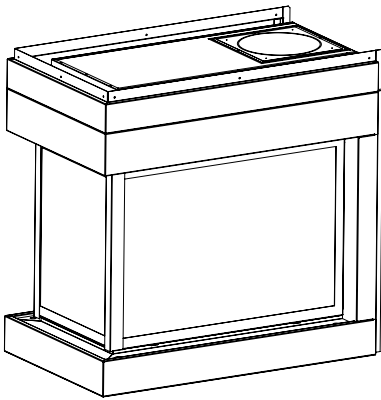
### ③ Choose Optional Accessories: [field installed]

For HL42DFST models refer to **page 64** for designer burner accessories.

| Accessories   | H42DFST    |            | HL42DFST   |            |
|---|------------|------------|------------|------------|
|   | Order Code | List Price | Order Code | List Price |
| Heritage Fibre Brick Lining - [brown]   | STANDARD   |            | N/A        |            |
| Wrought Iron Grate  | STANDARD   |            | N/A        |            |
| Arched Door Cover* - [satin black]  | HDOA42     | \$ 135.00  | HDOA42     | \$ 135.00  |
| Starburst Door Cover* - [satin black]   | HDOS42     | \$ 179.00  | HDOS42     | \$ 179.00  |
| Decorative Surround* - [satin black]  | H42FPSB    | \$ 450.00  | H42FPSB    | \$ 450.00  |
| Decorative Surround* - [stainless steel]  | H42FPSS    | \$ 850.00  | H42FPSS    | \$ 850.00  |
| 2 Piece Cross-flow Blower Kit - [manual control]  | HFK42      | \$ 249.00  | HFK42      | \$ 249.00  |
| 2 Piece Cross-flow Blower Kit - [heat-activated control]  | HFK42H     | \$ 299.00  | HFK42H     | \$ 299.00  |
| <b>SIT IPI System Only</b>  |            |            |            |            |
| Wireless Remote Control Kit - [on/off, thermostatic control, receiver, transmitter, wire harness, flame modulation (stepper motor)] | RX88NG     | \$ 399.00  | RX88NG     | \$ 399.00  |
|   | RX88LP     | \$ 399.00  | RX88LP     | \$ 399.00  |
| Fan Speed Control - [required to operate fans via remote control]   | RFCB       | \$ 100.00  | RFCB       | \$ 100.00  |
| Emergency Battery Back-up   | AF40BP     | \$ 45.00   | AF40BP     | \$ 45.00   |
| <b>Standing Pilot Only</b>  |            |            |            |            |
| Wireless Remote Control Kit - [on/off only]   | RX40       | \$ 179.00  | RX40       | \$ 179.00  |
| Wireless Remote Control Kit - [on/off + thermostatic control]   | RX60       | \$ 229.00  | RX60       | \$ 229.00  |
| Wireless Remote Control Kit - [on/off, thermostatic control, receiver, transmitter, wire harness, flame modulation (stepper motor)] | RX82NG     | \$ 399.00  | RX82NG     | \$ 399.00  |
|   | RX82LP     | \$ 399.00  | RX82LP     | \$ 399.00  |
| Fan Speed Control - [required to operate fans via remote control]   | RFCB       | \$ 100.00  | RFCB       | \$ 100.00  |
| Digital Thermostat - [programmable]   | RTS01      | \$ 119.00  | RTS01      | \$ 119.00  |
| Digital Thermostat - [non-programmable]   | RTS02      | \$ 89.00   | RTS02      | \$ 89.00   |
| ONE [1] Safety Door Screen*   | HSC42W     | \$ 150.00  | HSC42W     | \$ 150.00  |
| Dual Receptacle Box - [with manual fan speed control]   | DRB001     | \$ 79.00   | DRB001     | \$ 79.00   |

\* Accessory is sold as an individual piece. Two orders are required to finish both sides of the fireplace.

## Peninsula H-Series Premium Fireplaces



The H38DF Flush Peninsula gas fireplace is designed without louvers or trim. The main feature of this model is that you can install rock or tile over the frame for a clean face look. These fireplaces are complemented by a larger view of the fire. The H38DF-PFC Flush Peninsula model is currently available in a 38" size, with the following standard features:

- Large viewing area.
- Fibre log set & glowing embers, H38DF-PFC
- Black square door with tempered glass.
- Snap-lock door for access to the firebox.
- Supplied with standard millivolt control.
- Choice of Natural Gas or Liquid Propane.
- May be installed Top or Rear Direct Vent
- Available with Linear Burners, HL38DF-PFC model with firestones
- Clean face design
- Pyramid burner with fibre logset, brick lining, & wrought iron grate, HP38DF-PFC

### Ordering Information:

① **Choose the Fireplace:** *Note: prices below do not include venting. Specify if stainless steel unit is for outdoor use.*

| <b>H38DF-PFC</b> [5"/8" Direct Vent]                                | <b>Natural Gas [NG]</b> | <b>Propane [LP]</b> |          |                         |
|---|-------------------------|---------------------|----------|-------------------------|
| 34,000 BTU NG / 32,000 BTU LP                                       | Top & Rear Vent         | Top & Rear Vent     | Standard | Stainless Steel HS38PF* |
| Standard Model with Hi/Lo Valve                                     | H38PFN                  | H38PFL              | \$ 3,500 | \$ 6,500                |
| Model equipped with Proflame IPI [Elect. Intermittent Pilot Ign.]** | H38PFNI-2               | H38PFLI-2           | \$ 3,900 | \$ 6,900                |

| <b>HP38DF-PFC</b> [5"/8" Direct Vent]                               | <b>Natural Gas [NG]</b> | <b>Propane [LP]</b> |          |                         |
|---|-------------------------|---------------------|----------|-------------------------|
| 34,000 BTU NG / 32,000 BTU LP                                       | Top & Rear Vent         | Top & Rear Vent     | Standard | Stainless Steel HP38PF* |
| Model equipped with Proflame IPI [Elect. Intermittent Pilot Ign.]** | HP38PFNI-2              | HP38PFLI-2          | \$ 4,199 | \$ 7,200                |

| <b>HL38DF-PFC</b> [5"/8" Direct Vent]   | <b>Natural Gas [NG]</b> | <b>Propane [LP]</b> |          |                         |
|---|-------------------------|---------------------|----------|-------------------------|
| 34,000 BTU NG / 32,000 BTU LP   | Top & Rear Vent         | Top & Rear Vent     | Standard | Stainless Steel HL38PF* |
| Standard Model with Hi/Lo Valve<br>1st Generation Linear Burner                                     | HL38PFN                 | HL38PFL             | \$ 3,500 | \$ 6,500                |
| Model equipped with Proflame IPI [Elect. Intermittent Pilot Ign.]**<br>2nd Generation Linear Burner | HL38PFNI-2              | HL38PFLI-2          | \$ 3,900 | \$ 6,900                |

| Decorative Glass Beads [Supplied]                           | Qty                    | Part  | List Price |
|---|------------------------|-------|------------|
| White, Silver, Opaque as supplied [other options see pg 64] | 18lbs per installation | DGB01 | \$ N/C     |

\*\* IPI System is complete with RX88 remote control with on/off, thermostatic control, flame modulation, wire harness + battery backup. No fan option is available.

Consult your local Montigo representative regarding models equipped for use at high altitudes.

## Peninsula Accessories

### ② Choose any required venting components:

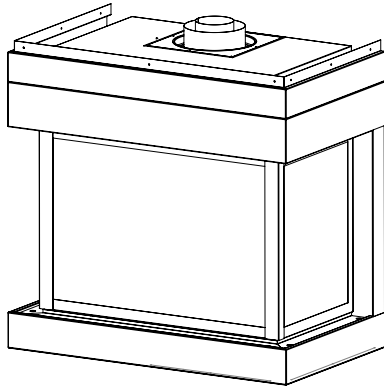
Refer to **pages 67 - 68** for a complete list of 5"/8" direct vent components.

### ③ Choose Optional Accessories: [field installed]

For HL38DF-PFC models refer to **page 64** for designer burner accessories.

| Accessories   | H38DF-PFC  |            | HP38DF-PFC |            | HL38DF-PFC |            |
|---|------------|------------|------------|------------|------------|------------|
|   | Order Code | List Price | Order Code | List Price | Order Code | List Price |
| Heritage Fibre Brick Lining - [brown]   | STANDARD   |            | N/A        |            | N/A        |            |
| Herring Bone Fibre Brick Lining   | N/A        |            | STANDARD   |            | N/A        |            |
| Wrought Iron Grate  | STANDARD   |            | STANDARD   |            | N/A        |            |
| <b>Standing Pilot Only</b>  |            |            |            |            |            |            |
| Wireless Remote Control Kit - [on/off only]   | RX40       | \$ 179.00  | N/A        |            | RX40       | \$ 179.00  |
| Wireless Remote Control Kit - [on/off + thermostatic control]   | RX60       | \$ 229.00  | N/A        |            | RX60       | \$ 229.00  |
| Wireless Remote Control Kit -<br>[on/off, thermostatic control, receiver, transmitter, wire harness,<br>flame modulation (stepper motor)] | RX82NG     | \$ 399.00  | N/A        |            | RX82NG     | \$ 399.00  |
|   | RX82LP     | \$ 399.00  | N/A        |            | RX82LP     | \$ 399.00  |
| <b>SIT IPI System Only</b>  |            |            |            |            |            |            |
| Wireless Remote Control Kit -<br>[on/off, thermostatic control, receiver, transmitter, wire harness,<br>flame modulation (stepper motor)] | STANDARD   |            | STANDARD   |            | STANDARD   |            |
| Emergency Battery Back-up   | STANDARD   |            | STANDARD   |            | STANDARD   |            |
| <b>Standing Pilot Only</b>  |            |            |            |            |            |            |
| Digital Thermostat - [programmable]   | RTS01      | \$ 119.00  | N/A        |            | N/A        |            |
| Digital Thermostat - [non-programmable]   | RTS02      | \$ 89.00   | N/A        |            | N/A        |            |
| Safety Door Screen  | HSC38PF    | \$ 600.00  | HSC38PF    | \$ 600.00  | HSC38PF    | \$ 600.00  |

## Panorama H-Series Premium Fireplaces



The H38DF Flush Panorama gas fireplace is designed without louvers or trim. The main feature of this model is that you can install rock or tile over the frame for a clean face look. These fireplaces are complemented by a larger view of the fire. The H38DF-PRC Flush Panorama model is currently available in a 38" size, with the following standard features:

- Large viewing area.
- Fibre log set & glowing embers, H38DF-PRC
- Black square door with tempered glass.
- Snap-lock door for access to the firebox.
- Supplied with standard millivolt control.
- Choice of Natural Gas or Liquid Propane.
- May be installed Top or Rear Direct Vent
- Available with Linear Burners, HL38DF-PRC model with firestones.
- Clean face design
- Pyramid burner with fibre logset, brick lining, & wrought iron grate, HP38DF-PRC

### Ordering Information:

① **Choose the Fireplace:** *Note: prices below do not include venting.*

| <b>H38DF-PRC</b> [5"/8" Direct Vent]                               | <b>Natural Gas [NG]</b> | <b>Propane [LP]</b> |          |
|--|-------------------------|---------------------|----------|
| 34,000 BTU NG/32,000 BTU LP  | Top & Rear Vent         | Top & Rear Vent     | Standard |
| Standard Model with Hi/Lo Valve                                    | H38PRN                  | H38PRL              | \$ 3,500 |
| Model equipped with Proflame IPI [Elect. Intermittent Pilot Ign.]* | H38PRNI-2               | H38PRLI-2           | \$ 3,900 |

| <b>HP38DF-PRC</b> [5"/8" Direct Vent]                              | <b>Natural Gas [NG]</b> | <b>Propane [LP]</b> |          |
|--|-------------------------|---------------------|----------|
| 34,000 BTU NG / 32,000 BTU LP                                      | Top & Rear Vent         | Top & Rear Vent     | Standard |
| Model equipped with Proflame IPI [Elect. Intermittent Pilot Ign.]* | HP38PRNI-2              | HP38PRLI-2          | \$ 4,199 |

| <b>HL38DF-PRC</b> [5"/8" Direct Vent]  | <b>Natural Gas [NG]</b> | <b>Propane [LP]</b> |            |
|--|-------------------------|---------------------|------------|
| 34,000 BTU NG / 32,000 BTU LP  | Top & Rear Vent         | Top & Rear Vent     | Standard   |
| Model equipped with Proflame IPI [Elect. Intermittent Pilot Ign.]*<br>2nd Generation Linear Burner | HL38PRNI-2              | HL38PRLI-2          | \$ 3,900   |
| Decorative Glass Beads [Supplied]  | Qty                     | Part                | List Price |
| White, Silver, Opaque as supplied [other options see pg 64]  | 18lbs per installation  | DGB01               | \$ N/C     |

\* IPI System is complete with RX88 remote control with on/off, thermostatic control, flame modulation, wire harness + battery backup. No fan option is available.

Consult your local Montigo representative regarding models equipped for use at high altitudes.

## Panorama Accessories

### ② Choose any required venting components:

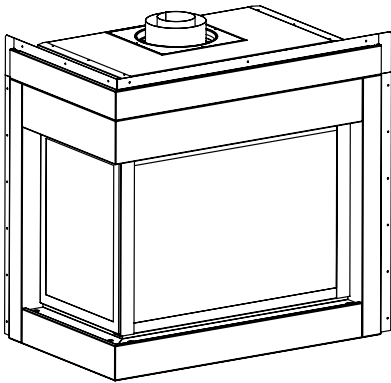
Refer to **pages 67 - 68** for a complete list of Premium Series 5"/8" direct vent components.

### ③ Choose Optional Accessories: [field installed]

For HL38DF-PRC models refer to **page 64** for designer burner accessories.

| Accessories   | H38DF-PRC  |            | HP38DF-PRC |            | HL38DF-PRC |            |
|---|------------|------------|------------|------------|------------|------------|
|   | Order Code | List Price | Order Code | List Price | Order Code | List Price |
| Heritage Fibre Brick Lining - [brown]   | STANDARD   |            | N/A        |            | N/A        |            |
| Herring Bone Fibre Brick Lining   | N/A        |            | STANDARD   |            | N/A        |            |
| Wrought Iron Grate  | STANDARD   |            | STANDARD   |            | N/A        |            |
| <b>Standing Pilot Only</b>  |            |            |            |            |            |            |
| Wireless Remote Control Kit - [on/off only]   | RX40       | \$ 179.00  | N/A        |            | N/A        |            |
| Wireless Remote Control Kit - [on/off + thermostatic control]   | RX60       | \$ 229.00  | N/A        |            | N/A        |            |
| Wireless Remote Control Kit -<br>[on/off, thermostatic control, receiver, transmitter, wire harness,<br>flame modulation (stepper motor)] | RX82NG     | \$ 399.00  | N/A        |            | N/A        |            |
|   | RX82LP     | \$ 399.00  | N/A        |            | N/A        |            |
| <b>SIT IPI System Only</b>  |            |            |            |            |            |            |
| Wireless Remote Control Kit -<br>[on/off, thermostatic control, receiver, transmitter, wire harness,<br>flame modulation (stepper motor)] | STANDARD   |            | STANDARD   |            | STANDARD   |            |
| Emergency Battery Back-up   | STANDARD   |            | STANDARD   |            | STANDARD   |            |
| <b>Standing Pilot Only</b>  |            |            |            |            |            |            |
| Digital Thermostat - [programmable]   | RTS01      | \$ 119.00  | N/A        |            | N/A        |            |
| Digital Thermostat - [non-programmable]   | RTS02      | \$ 89.00   | N/A        |            | N/A        |            |
| Safety Door Screen  | HSC38PR    | \$ 600.00  | HSC38PR    | \$ 600.00  | HSC38PR    | \$ 600.00  |

## Corner Left H-Series Premium Fireplaces



The H38DF Flush Corner Left gas fireplace is designed without louvers or trim. The main feature of this model is that you can install rock or tile over the frame for a clean face look. These fireplaces are complemented by a larger view of the fire. The H38DF-CL model is currently available in a 38" size, with the following standard features:

- Large viewing area
- Fibre log set & glowing embers, H38DF-CL
- Black square door with tempered glass
- Snap-lock door for access to the firebox
- Supplied with standard millivolt control
- Choice of Natural Gas or Liquid Propane
- May be installed Top or Rear Direct Vent
- Available with Linear Burners, HL38DF-CL model, with firestones
- Clean face design
- Pyramid burner with fibre logset, brick lining, & wrought iron grate, HP38DF-CL

### Ordering Information:

① **Choose the Fireplace:** *Note: prices below do not include venting.*

| <b>H38DF-CL</b> [5"/8" Direct Vent]                                | <b>Natural Gas [NG]</b> | <b>Propane [LP]</b> |          |
|--|-------------------------|---------------------|----------|
| 34,000 BTU NG/32,000 BTU LP  | Top & Rear Vent         | Top & Rear Vent     | Standard |
| Standard Model with Hi/Lo Valve                                    | H38CLN                  | H38CLL              | \$ 3,500 |
| Model equipped with Proflame IPI [Elect. Intermittent Pilot Ign.]* | H38CLNI-2               | H38CLLI-2           | \$ 3,900 |

| <b>HP38DF-CL</b> [5"/8" Direct Vent]                               | <b>Natural Gas [NG]</b> | <b>Propane [LP]</b> |          |
|--|-------------------------|---------------------|----------|
| 34,000 BTU NG / 32,000 BTU LP                                      | Top & Rear Vent         | Top & Rear Vent     | Standard |
| Model equipped with Proflame IPI [Elect. Intermittent Pilot Ign.]* | HP38CLNI-2              | HP38CLLI-2          | \$ 4,199 |

| <b>HL38DF-CL</b> [5"/8" Direct Vent]   | <b>Natural Gas [NG]</b> | <b>Propane [LP]</b> |            |
|--|-------------------------|---------------------|------------|
| 34,000 BTU NG / 32,000 BTU LP  | Top & Rear Vent         | Top & Rear Vent     | Standard   |
| Model equipped with Proflame IPI [Elect. Intermittent Pilot Ign.]*<br>2nd Generation Linear Burner | HL38CLNI-2              | HL38CLLI-2          | \$ 3,900   |
| Decorative Glass Beads [Supplied]  | Qty                     | Part                | List Price |
| White, Silver, Opaque as supplied [other options see pg 64]  | 18lbs per installation  | DGB01               | \$ N/C     |

\* IPI System is complete with RX88 remote control with on/off, thermostatic control, flame modulation, wire harness + battery backup.  
No fan option is available.

Consult your local Montigo representative regarding models equipped for use at high altitudes.

## Corner Left Accessories

### ② Choose any required venting components:

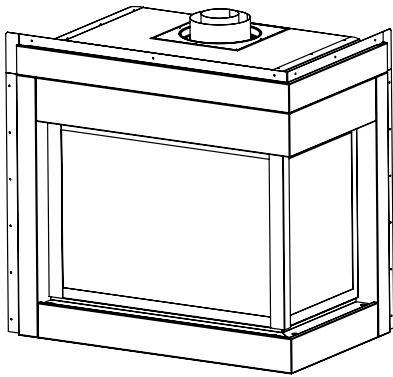
Refer to **pages 67 - 68** for a complete list of 5"/8" direct vent components.

### ③ Choose Optional Accessories: [field installed]

For HL38DF-CL models refer to **page 64** for designer burner accessories.

| Accessories   | H38DF-CL   |            | HP38DF-CL  |            | HL38DF-CL  |            |
|---|------------|------------|------------|------------|------------|------------|
|   | Order Code | List Price | Order Code | List Price | Order Code | List Price |
| Heritage Fibre Brick Lining - [brown]   | STANDARD   |            | N/A        |            | N/A        |            |
| Herring Bone Fibre Brick Lining   | N/A        |            | STANDARD   |            | N/A        |            |
| Wrought Iron Grate  | STANDARD   |            | STANDARD   |            | N/A        |            |
| <b>Standing Pilot Only</b>  |            |            |            |            |            |            |
| Wireless Remote Control Kit - [on/off only]   | RX40       | \$ 179.00  | N/A        |            | N/A        |            |
| Wireless Remote Control Kit - [on/off + thermostatic control]   | RX60       | \$ 229.00  | N/A        |            | N/A        |            |
| Wireless Remote Control Kit - [on/off, thermostatic control, receiver, transmitter, wire harness, flame modulation (stepper motor)] | RX82NG     | \$ 399.00  | N/A        |            | N/A        |            |
|   | RX82LP     | \$ 399.00  | N/A        |            | N/A        |            |
| <b>SIT IPI System Only</b>  |            |            |            |            |            |            |
| Wireless Remote Control Kit - [on/off, thermostatic control, receiver, transmitter, wire harness, flame modulation (stepper motor)] | STANDARD   |            | STANDARD   |            | STANDARD   |            |
| Emergency Battery Back-up   | STANDARD   |            | STANDARD   |            | STANDARD   |            |
| <b>Standing Pilot Only</b>  |            |            |            |            |            |            |
| Digital Thermostat - [programmable]   | RTS01      | \$ 119.00  | N/A        |            | N/A        |            |
| Digital Thermostat - [non-programmable]   | RTS02      | \$ 89.00   | N/A        |            | N/A        |            |
| Safety Door Screen  | HSC38CL    | \$ 400.00  | HSC38CL    | \$ 400.00  | HSC38CL    | \$ 400.00  |

## Corner Right H-Series Premium Fireplaces



The H38DF Flush Corner Right gas fireplace is designed without louvers or trim. The main feature of this model is that you can install rock or tile over the frame for a clean face look. These fireplaces are complemented by a larger view of the fire. The H38DF-CR t model is currently available in a 38" size, with the following standard features:

- Large viewing area
- Fibre log set & glowing embers, H38DF-CR
- Black square door with tempered glass
- Snap-lock door for access to the firebox
- Supplied with standard millivolt control.
- Choice of Natural Gas or Liquid Propane
- May be installed Top or Rear Direct Vent
- Available with Linear Burners, HL38DF-CR model, with firestones
- Clean face design
- Pyramid burner with fibre logset, brick lining, & wrought iron grate, HP38DF-CR

### Ordering Information:

① **Choose the Fireplace:** *Note: prices below do not include venting.*

| H38DF-CR [5"/8" Direct Vent]                                       | Natural Gas [NG] | Propane [LP]    |          |
|--|------------------|-----------------|----------|
| 34,000 BTU NG/32,000 BTU LP  | Top & Rear Vent  | Top & Rear Vent | Standard |
| Standard Model with Hi/Lo Valve                                    | H38CRN           | H38CRL          | \$ 3,500 |
| Model equipped with Proflame IPI [Elect. Intermittent Pilot Ign.]* | H38CRNI-2        | H38CRLI-2       | \$ 3,900 |

| HP38DF-CR [5"/8" Direct Vent]                                      | Natural Gas [NG] | Propane [LP]    |          |
|--|------------------|-----------------|----------|
| 34,000 BTU NG / 32,000 BTU LP                                      | Top & Rear Vent  | Top & Rear Vent | Standard |
| Model equipped with Proflame IPI [Elect. Intermittent Pilot Ign.]* | HP38CRNI-2       | HP38CRLI-2      | \$ 4,199 |

| HL38DF-CR [5"/8" Direct Vent]  | Natural Gas [NG]       | Propane [LP]    |            |
|--|------------------------|-----------------|------------|
| 34,000 BTU NG / 32,000 BTU LP  | Top & Rear Vent        | Top & Rear Vent | Standard   |
| Model equipped with Proflame IPI [Elect. Intermittent Pilot Ign.]*<br>2nd Generation Linear Burner | HL38CRNI-2             | HL38CRLI-2      | \$ 3,900   |
| Decorative Glass Beads [Supplied]  | Qty                    | Part            | List Price |
| White, Silver, Opaque as supplied [other options see pg 64]  | 18lbs per installation | DGB01           | \$ N/C     |

\* IPI System is complete with RX88 remote control with on/off, thermostatic control, flame modulation, wire harness + battery backup. No fan option is available.

Consult your local Montigo representative regarding models equipped for use at high altitudes.

## Corner Right Accessories

### ② Choose any required venting components:

Refer to **pages 67 - 68** for a complete list of Premium Series 5"/8" direct vent components.

### ③ Choose Optional Accessories: [field installed]

For HL38DF-CR models refer to **page 64** for designer burner accessories.

| Accessories   | H38DF-CR   |            | HP38DF-CR  |            | HL38DF-CR  |            |
|---|------------|------------|------------|------------|------------|------------|
|   | Order Code | List Price | Order Code | List Price | Order Code | List Price |
| Heritage Fibre Brick Lining - [brown]   | STANDARD   |            | N/A        |            | N/A        |            |
| Herring Bone Fibre Brick Lining   | N/A        |            | STANDARD   |            | N/A        |            |
| Wrought Iron Grate  | STANDARD   |            | STANDARD   |            | N/A        |            |
| <b>Standing Pilot Only</b>  |            |            |            |            |            |            |
| Wireless Remote Control Kit - [on/off only]   | RX40       | \$ 179.00  | N/A        |            | N/A        |            |
| Wireless Remote Control Kit - [on/off + thermostatic control]   | RX60       | \$ 229.00  | N/A        |            | N/A        |            |
| Wireless Remote Control Kit -<br>[on/off, thermostatic control, receiver, transmitter, wire harness,<br>flame modulation (stepper motor)] | RX82NG     | \$ 399.00  | N/A        |            | N/A        |            |
|   | RX82LP     | \$ 399.00  | N/A        |            | N/A        |            |
| <b>SIT IPI System Only</b>  |            |            |            |            |            |            |
| Wireless Remote Control Kit -<br>[on/off, thermostatic control, receiver, transmitter, wire harness,<br>flame modulation (stepper motor)] | STANDARD   |            | STANDARD   |            | STANDARD   |            |
| Emergency Battery Back-up   | STANDARD   |            | STANDARD   |            | STANDARD   |            |
| <b>Standing Pilot Only</b>  |            |            |            |            |            |            |
| Digital Thermostat - [programmable]   | RTS01      | \$ 119.00  | N/A        |            | N/A        |            |
| Digital Thermostat - [non-programmable]   | RTS02      | \$ 89.00   | N/A        |            | N/A        |            |
| Safety Door Screen  | HSC38CR    | \$ 400.00  | HSC38CR    | \$ 400.00  | HSC38CR    | \$ 400.00  |

## H38 H-Series Ventless Outdoor Fireplaces



The H-Series Flush single-sided outdoor gas fireplace is a Stainless Steel model with a ventless or vent free design. The main feature is the ability to install rock or tile over the frame, creating a trimless look. It is complemented by a larger view of the fire, a pan-style burner, and it boasts up to 40,000 BTU's, which makes it ideal for outdoor spaces.

- Clean face design
- Snap-Lock doors for tool free access.
- Fibre logs for traditional burner models
- Firestones for linear contemporary burner models
- Supplied standard with millivolt control.
- Stainless Steel square door with tempered glass.
- Choice of Natural Gas or Liquid Propane.

### Ordering Information:

① Choose the Fireplace: *Note: prices below do not include venting.*

| H34VFO [Vent Free]              | Natural Gas [NG] | Propane [LP] | List Price      |
|---------------------------------|------------------|--------------|-----------------|
| 26,000 BTU NG/LP                | Vent Free        | Vent Free    | Stainless Steel |
| Standard Model with Hi/Lo Valve | H34VON           | H34VOL       | \$ 1,999        |

| H38VFO [Vent Free]              | Natural Gas [NG] | Propane [LP] | List Price      |
|---------------------------------|------------------|--------------|-----------------|
| 34,000 BTU NG/LP                | Vent Free        | Vent Free    | Stainless Steel |
| Standard Model with Hi/Lo Valve | H38VON           | H38VOL       | \$ 2,299        |

| HL38VFO [Vent Free]             | Natural Gas [NG] | Propane [LP] | List Price      |
|---------------------------------|------------------|--------------|-----------------|
| 34,000 BTU NG/LP                | Vent Free        | Vent Free    | Stainless Steel |
| Standard Model with Hi/Lo Valve | HL38VON          | HL38VOL      | \$ 2,299        |

| Decorative Glass Beads [Supplied]                           | Qty                    | Part  | List Price |
|---|------------------------|-------|------------|
| White, Silver, Opaque as supplied [other options see pg 64] | 12lbs per installation | DGB01 | \$ N/C     |

| H42VFO [Vent Free]              | Natural Gas [NG] | Propane [LP] | List Price      |
|---------------------------------|------------------|--------------|-----------------|
| 40,000 BTU NG/LP                | Vent Free        | Vent Free    | Stainless Steel |
| Standard Model with Hi/Lo Valve | H42VON           | H42VOL       | \$ 2,599        |

Consult your local Montigo representative regarding models equipped for use at high altitudes.

## H38 H-Series Ventless Outdoor Accessories

### ② Choose Optional Accessories: [field installed]

For HL38VFO models refer to **page 64** for designer burner accessories.

| Accessories                           | H34VFO     |            | H38VFO     |            | HL38VFO    |            | H42VFO     |            |
|---------------------------------------|------------|------------|------------|------------|------------|------------|------------|------------|
|                                       | Order Code | List Price | Order Code | List Price | Order Code | List Price | Order Code | List Price |
| Colonial Fibre Brick Lining - [white] | HBK34SHC   | \$ 189.00  | HBK38C     | \$ 209.00  | N/A        |            | HBK42C     | \$ 219.00  |
| Heritage Fibre Brick Lining - [brown] | HBK34SHR   | \$ 219.00  | HBK38R     | \$ 245.00  | N/A        |            | HBK42R     | \$ 255.00  |
| Wrought Iron Grate                    | HWIG34     | \$ 55.00   | HWIG38     | \$ 55.00   | N/A        |            | HWIG42     | \$ 55.00   |
| Drain Pan                             | ODSSP34    | \$ 129.00  | ODSSP38    | \$ 139.00  | ODSSP38    | \$ 139.00  | ODSSP42    | \$ 155.00  |
| Safety Screen                         | RSCH34VO   | \$ Call    | RSCH38VO   | \$ Call    | RSCH38VO   | \$ Call    | RSCH42VO   | \$ Call    |

## H-Series Ventless-ST Outdoor Fireplaces



The Stainless steel Ventless Outdoor See Through gas fireplace is designed without louvres or trim. The main feature of this model is that you can install rock or tile over the frame for a clean face look. This fireplace is complemented by a larger view of the fire and a unique Linear Burner. The Ventless See Through model is only available in a 38" size, with the following standard features:

- Clean face design
- Tempered glass window
- Snap-Lock doors for access to the firebox
- Choice of Natural Gas or Liquid Propane.
- Available with Designer Logset, (H38-SVO)
- Contemporary Linear Burners, (HL38-SVO)
- Firestones for HL38-SVO

### Ordering Information:

① **Choose the Fireplace:** *Note: prices below do not include venting.*

| <b>H38-SVO</b> [Vent Free]      | <b>Natural Gas [NG]</b> | <b>Propane [LP]</b> | <b>List Price</b> |
|---------------------------------|-------------------------|---------------------|-------------------|
| 45,000 BTU NG/LP                | Vent Free               | Vent Free           | Stainless Steel   |
| Standard Model with Hi/Lo Valve | H38SVON                 | H38SVOL             | \$ 4,500          |

| <b>HL38-SVO</b> [Vent Free]  | <b>Natural Gas [NG]</b> | <b>Propane [LP]</b> | <b>List Price</b> |
|--|-------------------------|---------------------|-------------------|
| 45,000 BTU NG/LP   | Vent Free               | Vent Free           | Stainless Steel   |
| Standard Model with Hi/Lo Valve<br>1st Generation Linear Burner                            | HL38SVON                | HL38SVOL            | \$ 4,500          |
| Model equipped with Honeywell Hot Surface Ignition [HSI]*<br>No Hi/Lo adjustment available | HL38SVONE               | HL38SVOLE           | \$ 4,650          |
| Decorative Glass Beads [Supplied]  | Qty                     | Part                | List Price        |
| White, Silver, Opaque as supplied [other options see pg 64]                                | 18lbs per installation  | DGB01               | \$ N/C            |

\*HSI equipped; use ground fault protected outlet in fireplace or 24V water tight box.

Consult your local Montigo representative regarding models equipped for use at high altitudes.

# H-Series Ventless-ST Outdoor Accessories

## ② Choose Optional Accessories:

For HL38-SVO models refer to **page 64** for designer burner accessories.

| Accessories  | H38-SVO    |            | HL38-SVO   |            |
|--|------------|------------|------------|------------|
|  | Order Code | List Price | Order Code | List Price |
| Freestanding stainless steel enclosure -<br><i>[must be factory installed and specified at time of ordering fireplace]</i> | HS38ODC    | \$ 999.00  | HS38ODC    | \$ 999.00  |
| One [1] Safety Screen*   | RSCH38SVO  | \$ Call    | RSCH38SVO  | \$ Call    |

\* Accessory is sold as an individual piece. Two orders are required to finish both sides of the fireplace.

## H36PV H-Series Fireplaces



Designed to give you the most authentic hearth experience, our H36PV is a dedicated power vented unit without louvers or trim that sits flush to the floor. Install rock or tile over the frame for a clean face look. Currently available with a 38" wide viewing area with the following standard features:

- Large 38" wide viewing area
- 6-piece log set and glowing ember tray
- Wrought-Iron Grate
- IPI Electronic Ignition
- Natural Gas
- Herring bone brick lining
- Equipped for use with either the LDVPV58, EDVWSPV58, or EDVRSPV58 Power Vent Systems for Vent run to 100'

### Ordering Information:

① **Choose the Fireplace:** *Note: prices below do not include venting*

| <b>H36-DFN</b> [5"/8" Power Vent]                                  | <b>Natural Gas [NG]</b> | <b>List Price</b> |
|--|-------------------------|-------------------|
| 55,000 BTU NG  | Top Vent                | Standard          |
| Model equipped with Proflame IPI [Elect. Intermittent Pilot Ign.]* | H36PVNI                 | \$ 5,000          |

\* IPI Base Builders System does not include remote control and modulated thermostatic control options.

*Consult your local Montigo representative regarding models equipped for use at high altitudes.*

## H36PV Accessories

---

### ② Choose any required venting components: [field installed]

Refer to **pages 71 - 74** for a complete list of power vent components.

### ③ Choose Optional Accessories: [field installed]

| Accessories   | DXFS             |
|---------------|------------------|
| Safety Screen | RSCH36PV \$ Call |